

## 0.2ml PCR\* Tubes & Caps



**Manufactured of virgin polypropylene, our PCR\* tubes are designed for optimal fit in all leading thermal cyclers.**

Expertise in injection molding and state of the art tools assure uniform thin walls to accelerate even heat transfer and shorten cycle times.

Sample identification is simplified with the numeric markings on our strip of tubes and alpha markings on the strip of caps.

Our dome style caps eliminate the need for mineral overlay when used in thermal cyclers with heated lids.

Tested by an independent laboratory, all PCR tubes and thermal cycler plates are certified to be free of any RNase or DNase activity.

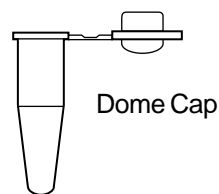
All PCR\* tubes & caps are non-sterile and are autoclavable.

*\* PCR process is covered by patents owned by Hoffman-La Roche, Inc.*

### Tube with Attached Cap (Thin Wall)

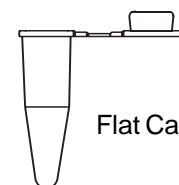
*Ideal for those applications that use only a few tubes at a time.*

Product No.	Color	Package Type	Qty/ Unit	Qty/ Case	Price/ Unit
430*	Natural	Bagged	1,000	5,000	
430-MIXED**	Mixed	Bagged	1,000	5,000	



Dome Cap

Product No.	Color	Package Type	Qty/ Unit	Qty/ Case	Price/ Unit
431*	Natural	Bagged	1,000	5,000	
431-MIXED**	Mixed	Bagged	1,000	5,000	



Flat Cap

**Note:** Colored tubes must be ordered by the case. Add \$.50 per unit.

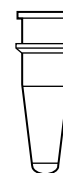
\* A variety of colored tubes are available in: red, blue, green, yellow, orange or violet.

\*\* All colors (red, blue, green, yellow, orange, violet) are mixed together in the bag.

### Capless Tube (Thin Wall)

*Need 5 tubes, maybe more, maybe less? With ease and speed, the tubes can be joined together with QSP®'s strip of caps. Simply cut the strip of caps to coincide with the number of tubes needed.*

Product No.	Color	Package Type	Qty/ Unit	Qty/ Case	Price/ Unit
432*	Natural	Bagged	1,000	5,000	
432-MIXED**	Mixed	Bagged	1,000	5,000	



\* A variety of colored tubes are available: red, blue, green, yellow, orange or violet.

**Note:** Colored tubes must be ordered by the case. Add \$.50 per unit.

\*\* All colors (red, blue, green, yellow, orange, violet) are mixed together in the bag.

## PCR\* Tubes, Caps, Plates and Workstations

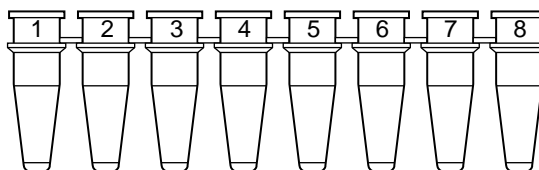
# 4

### 0.2ml PCR\* Tubes & Caps

#### 8 Strip of Tubes (Thin Wall)

Eight strip of tubes allows multiple PCR reactions and is ideal when using an eight channel pipetter.

Packaged 120 strips per unit (5 units per case).



Product No.	Color	Package Type	Qty/ Unit	Qty/ Case	Price/ Unit
435 <sup>+</sup>	Natural	Bagged	960	4,800	
435-MIXED <sup>**</sup>	Mixed	Bagged	960	4,800	

<sup>+</sup> A variety of colored tubes are available : red, blue, green, yellow, orange or violet.

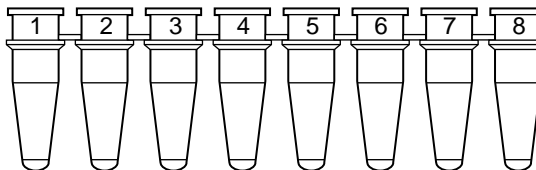
**Note:** Colored tubes must be ordered by the case. Add \$.50 per unit.

<sup>\*\*</sup> All colors (red, blue, green, yellow, orange, violet) are mixed together in the bag.

#### 8 Strip of Tubes (Standard Wall)

Eight strip of tubes allows multiple PCR reactions and is ideal when using an eight channel pipetter.

Packaged 120 strips per unit (5 units per case).

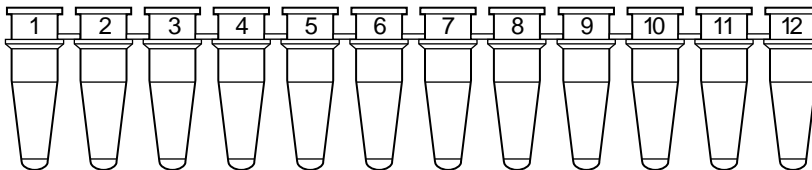


Product No.	Color	Package Type	Qty/ Unit	Qty/ Case	Price/ Unit
436	Natural	Bagged	960	4,800	

#### 12 Strip of Tubes (Thin Wall)

Twelve strip of tubes allows multiple PCR reactions and is ideal when using a twelve channel pipetter.

Packaged 80 strips per unit (5 units per case).



Product No.	Color	Package Type	Qty/ Unit	Qty/ Case	Price/ Unit
437 <sup>+</sup>	Natural	Bagged	960	4,800	
437-MIXED <sup>**</sup>	Mixed	Bagged	960	4,800	

<sup>+</sup> A variety of colored tubes are available: red, blue, green, yellow, orange or violet.

**Note:** Colored tubes must be ordered by the case. Add \$.50 per unit.

<sup>\*\*</sup> All colors (red, blue, green, yellow, orange, violet) are mixed together in the bag.

## 0.2ml PCR\* Caps

### 8 Strip of Caps

*Domed caps eliminate the need for mineral overlay when used in thermal cyclers with heated lids.*

*Packaged 120 strips per unit (5 units per case).*



Product No.	Color	Package Type	Qty/ Unit	Qty/ Case	Price/ Unit
<b>440*</b>	Natural	Bagged	960	4,800	
<b>440-MIXED**</b>	Mixed	Bagged	960	4,800	

*\* A variety of colored caps are available: red, blue, green, yellow, orange or violet.*

**Note:** Colored Caps must be ordered by the case. Add \$.50 per unit.

*\*\* All colors (red, blue, green, yellow, orange, violet) are mixed together in the bag.*

### 12 Strip of Caps

*Domed caps eliminate the need for mineral overlay when used in thermal cyclers with heated lids.*

*Packaged 80 strips per unit (5 units per case).*



Product No.	Color	Package Type	Qty/ Unit	Qty/ Case	Price/ Unit
<b>442*</b>	Natural	Bagged	960	4,800	
<b>442-MIXED**</b>	Mixed	Bagged	960	4,800	

*\* A variety of colored caps are available: red, blue, green, yellow, orange or violet.*

**Note:** Colored caps must be ordered by the case. Add \$.50 per unit.

*\*\* All colors (red, blue, green, yellow, orange, violet) are mixed together in the bag.*

4

# 0.2ml Thin Wall Thermal Cycler Plate Options



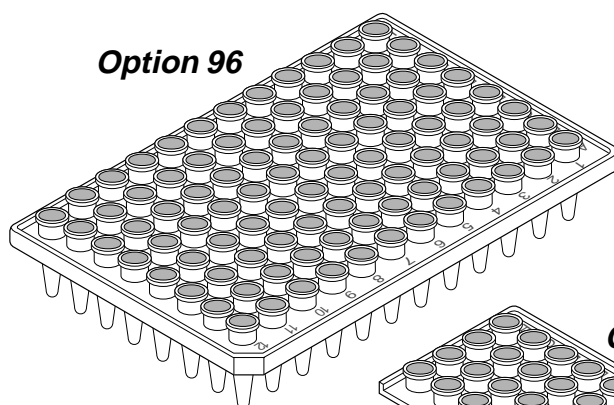
**Options from POREX combine the advantages of 0.2ml thin wall PCR\* tubes with the convenience of 96 well micro titer plates.**

**Option 96** thermal cycler plates feature ninety-six 0.2ml thin wall wells in an 8 X 12 format. Expertise in injection molding and state of the art tools assure uniform thin wall wells to accelerate even heat transfer and shorten cycle times.

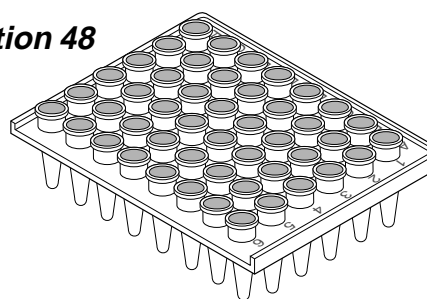
Option 96 can easily be cut into sections. For end user convenience, pre-cut sections of 48, 32, or 24 wells are also available.

Color coding is simplified with our selection of six different colored plates. For quick sample identification, each has molded in alpha numerical markings.

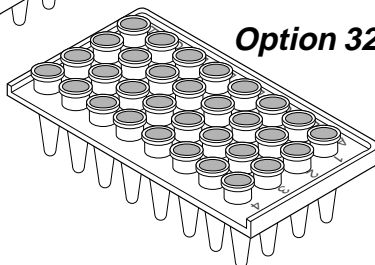
Tested by an independent laboratory, QSP thermal cycler plates are certified to be free of any RNase or DNase activity.



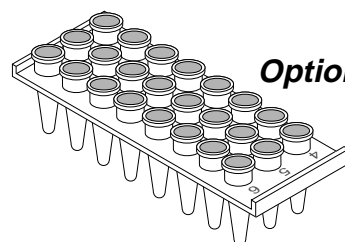
**Option 96**



**Option 48**



**Option 32**



**Option 24**

Drawings not to size

Product No.	Color	Package Type	Qty/ Unit	Qty/ Case	Price/ Unit
<b>460-96*</b>	Natural	Bagged	10 Plates	50 Plates	
<b>460-48*</b>	Natural	Bagged	20 Plates	100 Plates	
<b>460-32*</b>	Natural	Bagged	30 Plates	150 Plates	
<b>460-24*</b>	Natural	Bagged	40 Plates	200 Plates	

\* A variety of colored plates are available: red, blue, green, yellow, orange or violet.

**Note:** Colored plates must be ordered by the case. Add \$.50 per unit.

## Strip of Caps for Thermal Cycler Plates

For ease and convenience, plates can be sealed with QSP strip of caps.

Our popular dome style caps eliminate the need for mineral overlay when used in thermal cyclers with heated lids.



Product No.	Color	Package Type	Qty/ Unit	Qty/ Case	Price/ Unit
<b>440**</b>	Natural	Bagged	960	4,800	

\*\* Refer to pages 74 & 75 for colored caps and/or 12 strip.

# PCR\* Tubes, Caps, Plates and Workstations

## Benchtop Workstations & Storage Containers for 0.2ml PCR\* Tubes

4

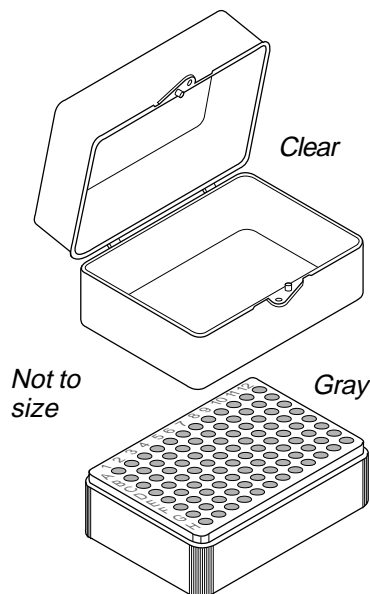
Used separately or together, pre and post PCR\* sampling is made easier with QSP® benchtop workstations and storage containers. The workstation easily slips in and out of the storage container. Though easy to open and close, the unique closure system will remain securely latched. Stacking walls on both the top and bottom of the storage container provide extra stability for placing one on top of another.

Both the workstation and storage container are manufactured of polypropylene and are fully autoclavable. The workstation features alpha numeric markings for easy sample identification.

### Standard Workstation and Storage Container

*Our original workstation became a necessity to researchers almost overnight. Fashioned after the QSP hinged rack, it accommodates individual tubes and strips of 8 or 12.*

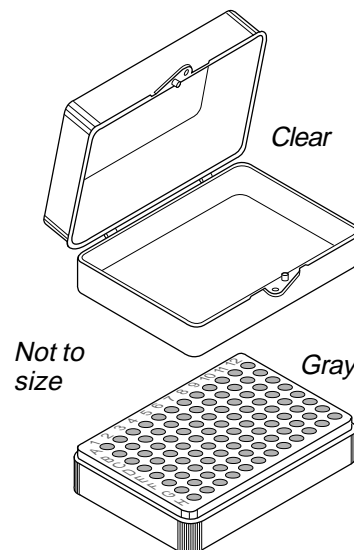
Product No.	Color	Package Type	Qty/Unit	Qty/Case	Price/Unit
<b>Benchtop Workstation Only</b>					
<b>494</b>	Gray	Box	10	10	
<b>494-PB-100</b>	Gray	Box	100	100	
<b>Benchtop Workstation with Storage Container</b>					
<b>495</b>	Gray/Clear	Box	10	10	
<b>495-PB</b>	Gray/Clear	Box	96	96	



### Mini Workstation and Storage Container

*At almost half the size and weight of our standard design, both valuable space and freight costs are reduced.*

Product No.	Color	Package Type	Qty/Unit	Qty/Case	Price/Unit
<b>Benchtop Workstation Only</b>					
<b>Mini-494</b>	Gray	Box	10	10	
<b>Mini-494-PB-100</b>	Gray	Box	100	100	
<b>Benchtop Workstation with Storage Container</b>					
<b>Mini-495</b>	Gray/Clear	Box	10	10	
<b>Mini-495-PB</b>	Gray/Clear	Box	96	96	



**0.6ml Thin Wall & Standard Wall PCR\* Tubes**



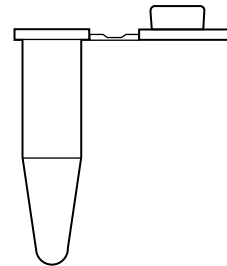
**Manufactured of virgin polypropylene, our PCR\* tubes were designed for optimal fit in all leading thermal cyclers.**

Tested by an independent laboratory, tubes are certified to be free of any RNase or DNase activity.

Expertise in injection molding and state of the art tools assure uniform thin walls to accelerate even heat transfer and shorten cycle times.

**Thin Wall Tube with Attached Cap**

Product No.	Color	Package Type	Qty/ Unit	Qty/ Case	Price/ Unit
445*	Natural	Bagged	1,000	10,000	
445-MIXED**	Mixed	Bagged	1,000	10,000	



\* A variety of colored tubes are available: red, blue, green, yellow, orange or violet.

**Note:** Colored tubes must be ordered by the case. Add \$.50 per unit.

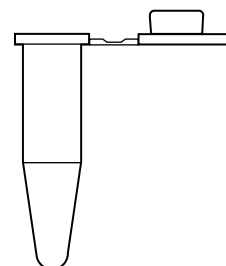
\*\* All colors (red, blue, green, yellow, orange, violet) are mixed together in the bag.

**Standard Wall Tube with Attached Cap**

*The original PCR\* tube.*

\* PCR process is covered by patents owned by Hoffman-La Roche, Inc.

Product No.	Color	Package Type	Qty/ Unit	Qty/ Case	Price/ Unit
502-PLN*	Natural	Bagged	1,000	10,000	



\* A variety of colored tubes are available: red, blue, green, yellow, orange, violet, amber or mixed. (Mixed: All colors except natural and amber are mixed together in the bag).

**Note:** Colored tubes must be ordered by the case. Add \$.50 per unit.